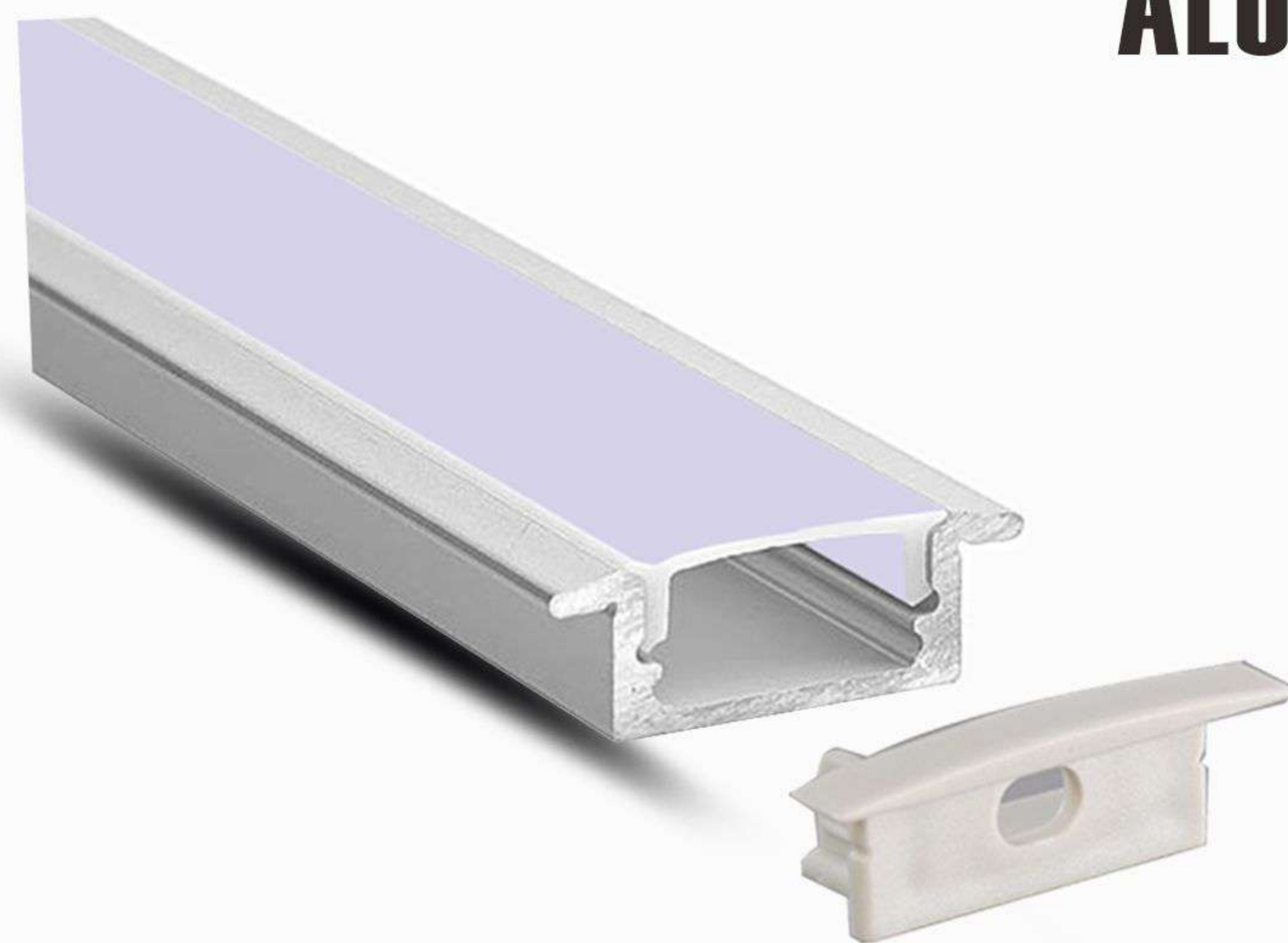




ALUMINUM PROFILE

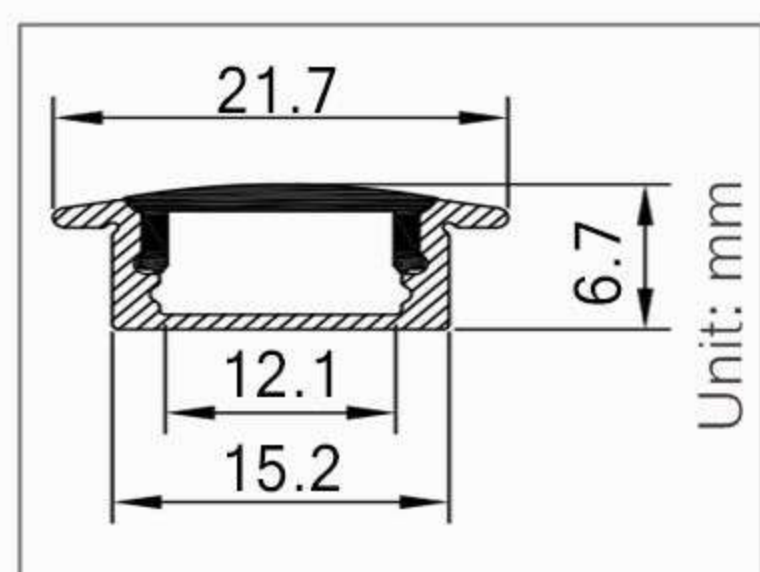


NX-2207R SL

specification

PRODUCT NAME :	Aluminum Profile - Recessed
MODEL NUMBER :	NX-2207R SL
INSTALLATION :	Recessed
MATERIAL :	Aluminum - 6063T5
SIZE :	W: 17.0mm, H: 07.1mm, L: 3000mm
SURFACE :	SILVER
PC COVER :	Avaiable with opal diffuser
Apply :	LED Strip and PCB 8mm
WARRANTY :	5years

Installation



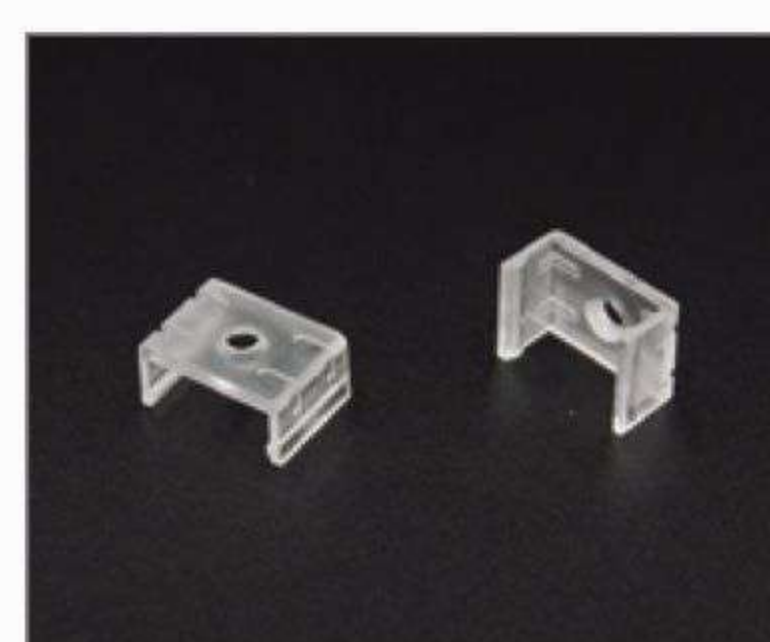
Aluminum Profile



Aluminum Profile (Bacck)



End Cap



Mounting Clip (PC)



Cover