

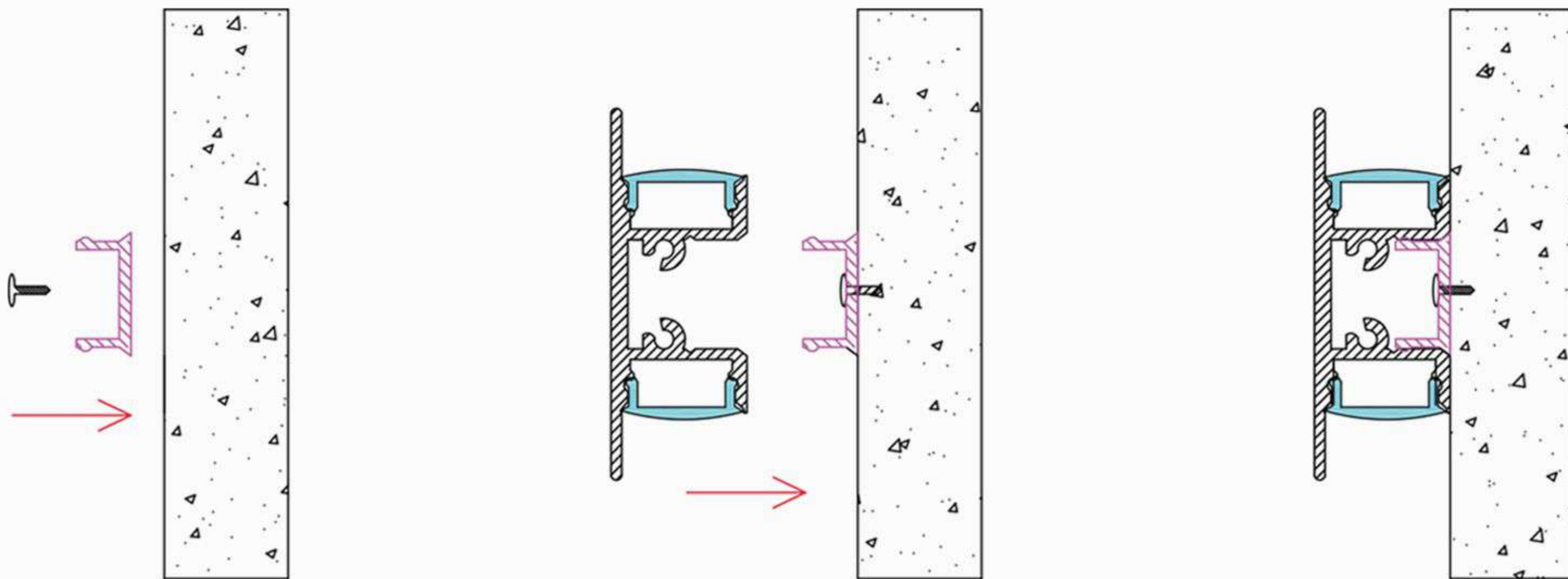
ALUMINUM PROFILE

NX-0749 SL

specification

PRODUCT NAME :	Aluminum Profile - Surface
MODEL NUMBER :	NX-0749 SL
INSTALLATION :	SURFACE
MATERIAL :	Aluminum - 6063T5
SIZE :	W: 07.0mm, H: 49.0mm, L: 3000mm
SURFACE :	SILVER
PC COVER :	Avaiable with opal diffuser
Apply :	LED Strip and PCB 08mm
WARRANTY :	5years

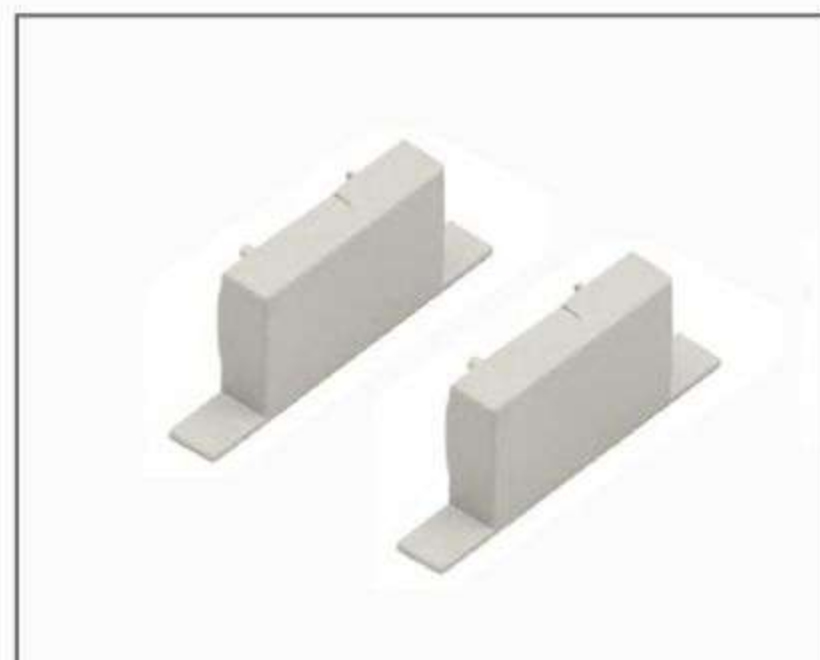
Installation



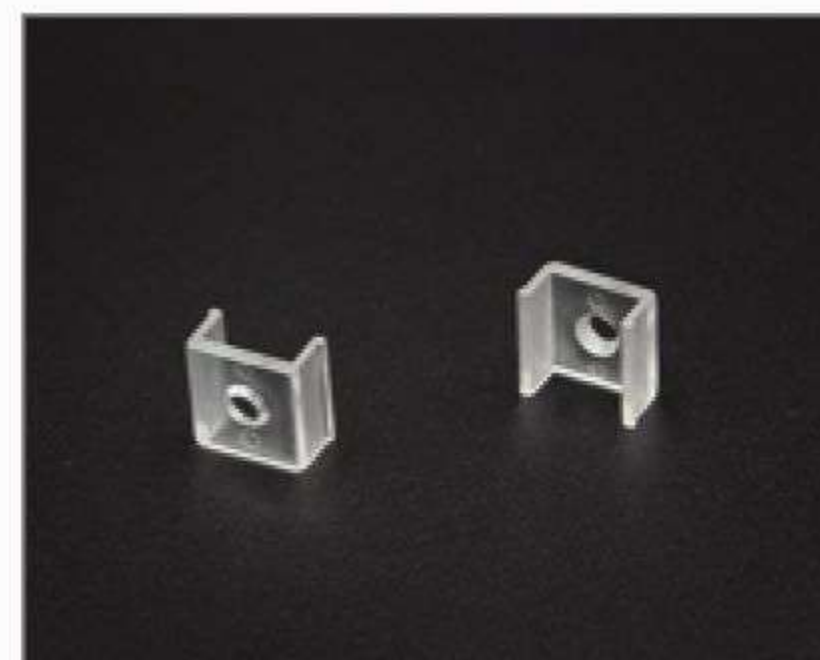
Aluminum Profile



Aluminum Profile (Back)



End Cap



Mounting Clips (PC)



Cover