

ALUMINUM PROFILE



Alum. Profile & End Cap



Aluminum Profile



End Cap



Mounting Clip (Metal)



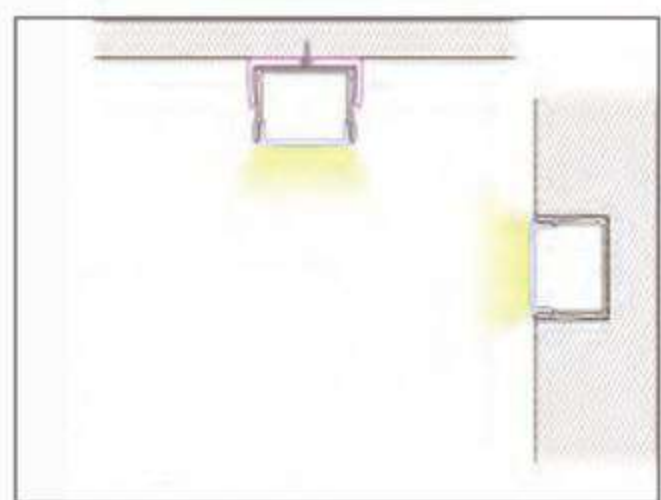
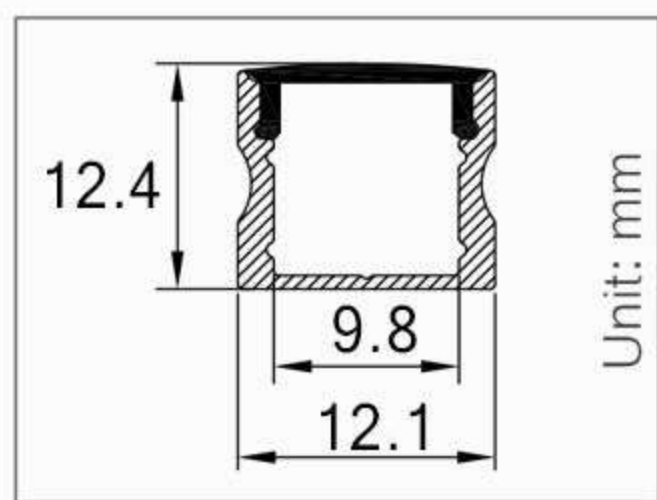
Cover

NX-1212F SL

specification

PRODUCT NAME :	Aluminum Profile - Recessed / Surface
MODEL NUMBER :	NX-1212F SL
INSTALLATION :	Recessed / Surface
MATERIAL :	Aluminum - 6063T5
SIZE :	W: 12.4mm, H: 12.1mm, L: 3000mm
SURFACE :	SILVER
PC COVER :	Available with opal diffuser
Apply :	LED Strip and PCB 12mm
WARRANTY :	5years

Installation



Surface Mounted

Recessed Mounted