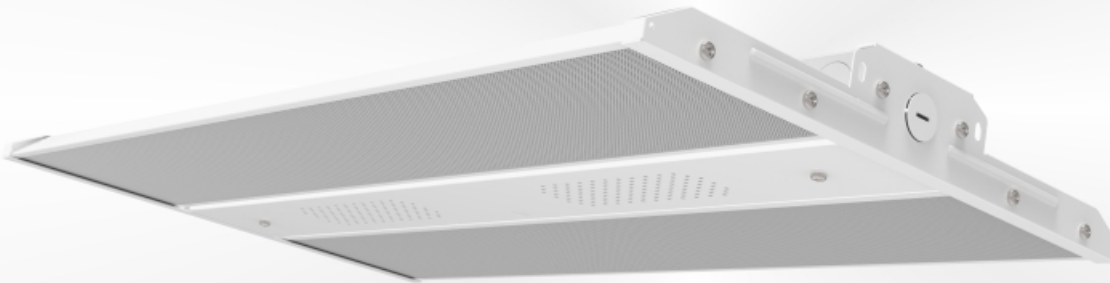


# SPECIFICATION

**NEXLEDS**<sup>®</sup>  
NEXLEDS LTD

**3CCT**  
Changeable



**165W-110W-80W**  
**Changeable**

**220W-165W-110W**  
**Changeable**



0.9



IP42



50000 Hrs  
Life Time



140 LM/W

VIDEO



## 3CCT LED Linear High Bay

**165W-110W-80W 220W-165W-110W**

### Specification

Product Name :	3CCT LED Linear High Bay
Model NO. :	NX-LHBS6-L3-165W-H-MV-TCP(XX)(165/110/80)-Y NX-LHBS6-L3-220W-H-TCP(XX)(220/165/110)-Y
Specification :	AC120-347V; 50/60Hz ; 165W/110W/80W AC120-277V; 50/60Hz ; 220W/165W/110W
Working Temp :	-40°C~40°C
Power Factor :	0.9
CRI(ra) :	>80
Color :	White Color
Light Source :	Luminus SMD2835
Lumen :	140 LM/W
Life Time :	50000 hrs
Beam Angle :	90°
Product Size :	23.62x11.81x1.87inch / 23.62x14.17x1.87inch
IP :	IP42
Application :	Warehouse, indoor parking area, work shop and so on.
Warranty :	5 years
Standard :	UL
Color Temp :	3500K-4000K-5000K Changeable



www.nexleds.ca



Email: sales@nexleds.ca

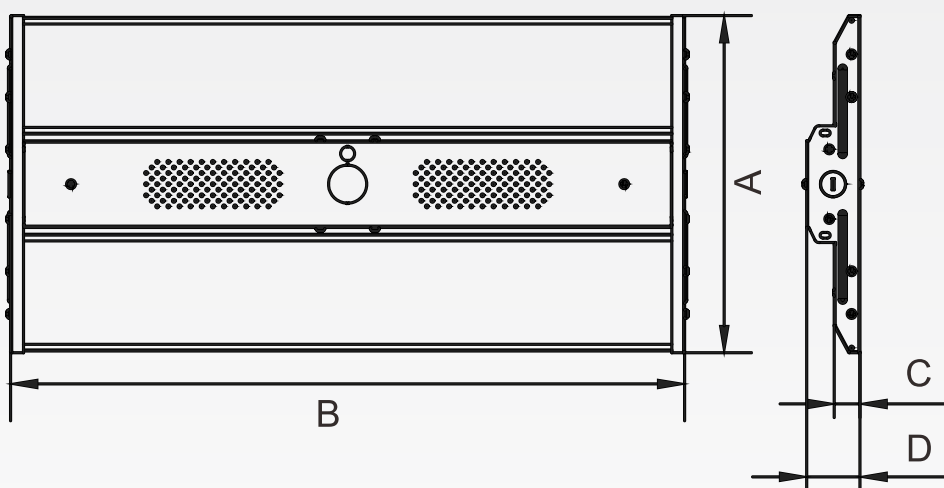
**NEXLEDS**<sup>®</sup>

NEXLEDS LTD

**Feature:**

1. 165W/220W MAX available;
2. High luminous efficacy 140 LM/W;
3. 0-10V dimming;
4. PF>0.90, driver efficiency> 87%; THD<20%;
5. Installation: chain mounting;
6. Suitable for dry/damp location;
7. Designed for warehouses, gymnasiums, and industrial spaces;
8. CCT: 3500K & 4000K & 5000K;
9. Power tunable and CCT Switchable available ;

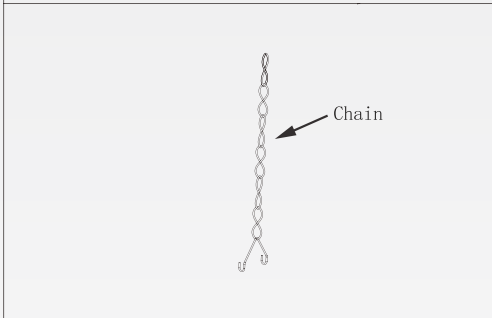
**Dimension:**



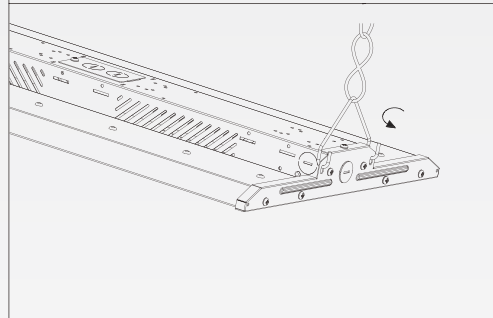
Model	A	B	C	D
NX-LHBS6-L3-165W-H-MV-TCP(XX)(165/110/80)-Y	11.81"	23.62"	0.91"	1.87"
NX-LHBS6-L3-220W-H-TCP(XX)(220/165/110)-Y	14.17"	23.62"	0.91"	1.87"

**Instruction:**

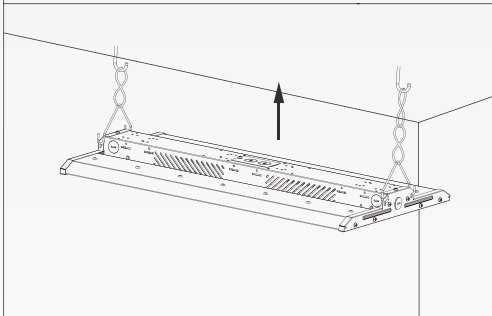
1. Hook the chain as below pic.



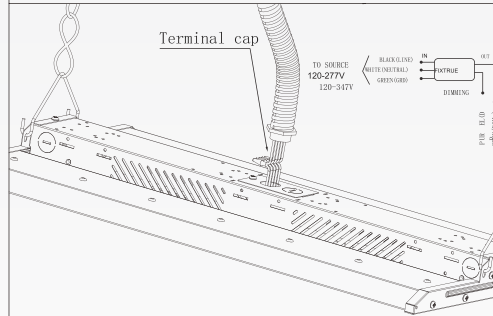
2. Insert the hook into the slotted holes, as shown below.



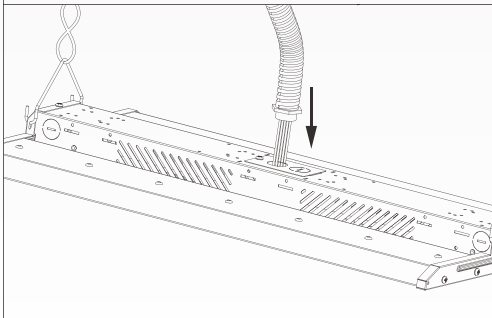
3. Hook up the chain on the ceiling anchor.



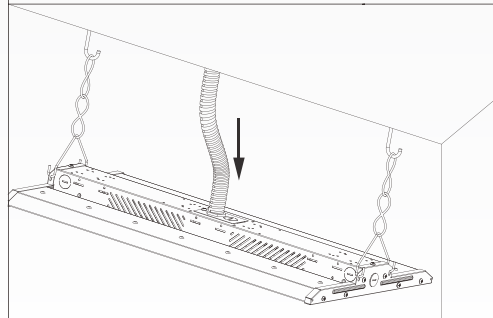
4. Turn off power, and make wiring connections with terminal cap (see wiring instruction below).



5. Insert the terminal cap and wires into the driver box.



6. Insert the wire terminal joint to the wire entry. Installation completed.



**Applications:**

