



IP65



LED FLOOD LIGHT

200W

specification

PRODUCTS NAME :	LED FLOOD LIGHT
MODEL NO. :	NX-EK-200W
SPECIFICATION :	AC85 - 265V; 50/60Hz; 200W
WORKING TEMP. :	-20~50°C
POWER :	200W
CRI (ra) :	>80
HOUSING COLOR :	Black Color
IP :	IP65
LIGHT SOURCE :	3030LED
LUMEN :	24000LM
LIFE TIME :	50000 hrs
BEAM ANGLE :	120°
PRODUCT SIZE :	329 x 276 x 37 mm
APPLICATION :	Biiiboard, Basketball court, Tennis court, ...etc
WARRANTY :	3years
STANDARD :	CE, ROHS, SAA,C-TICK

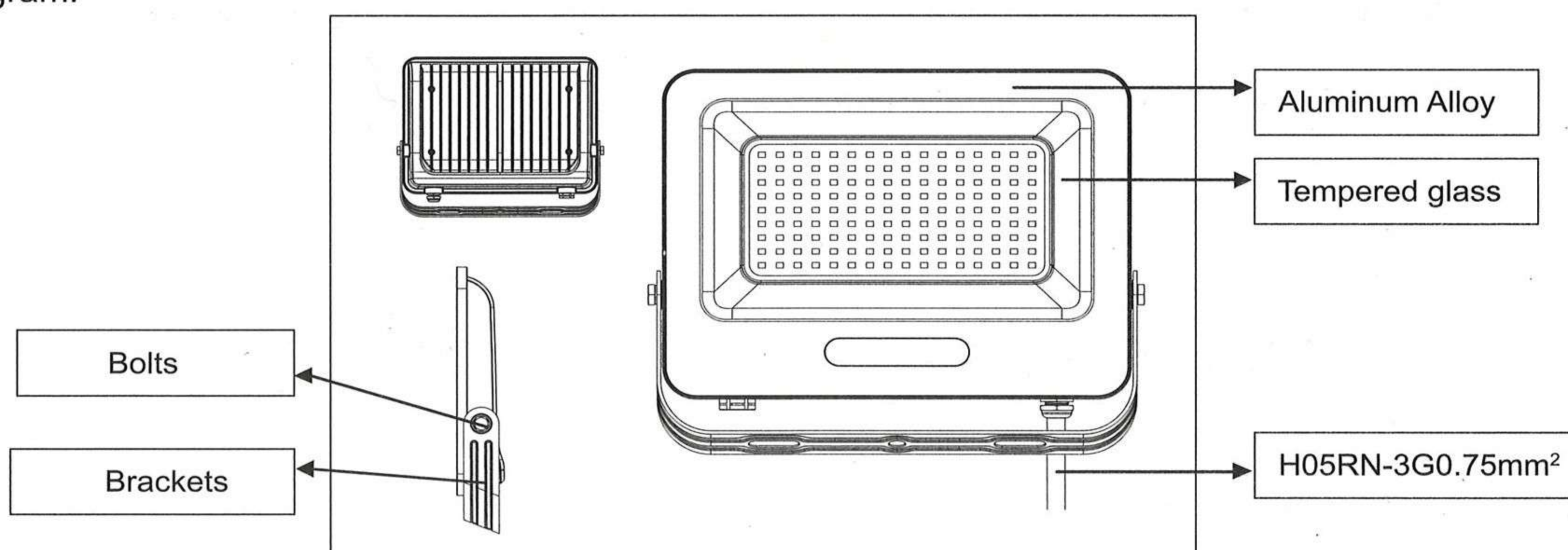
Color Temperature:

3000K / 4000K / 6500K

Outdoor LED Flood light

Please take time to read this leaflet carefully and retain it for future reference.

Diagram:



Specification:

Voltage	AC100-265V						
Power factor	>0.9						
Wattage	10W	20W	30W	50W	100W	150W	200W
Lumen	1000lm	2000lm	3000lm	5000lm	10000lm	15000lm	20000lm
Lamp type	SMD2835						
CRI	Ra>80						
Material	Aluminum						
Beam angle	90°						
Products size	84x71x27mm	100x85x27mm	140x104x26mm	180x139x29mm	264x193x32mm	317x229x36mm	329x276x37.4mm
Color Temp	2700K-6500K						
Work Temp	-20°C--+40°C						
Protection	IP65						
Housing color	Black / White / Grey						

Important Safety Information

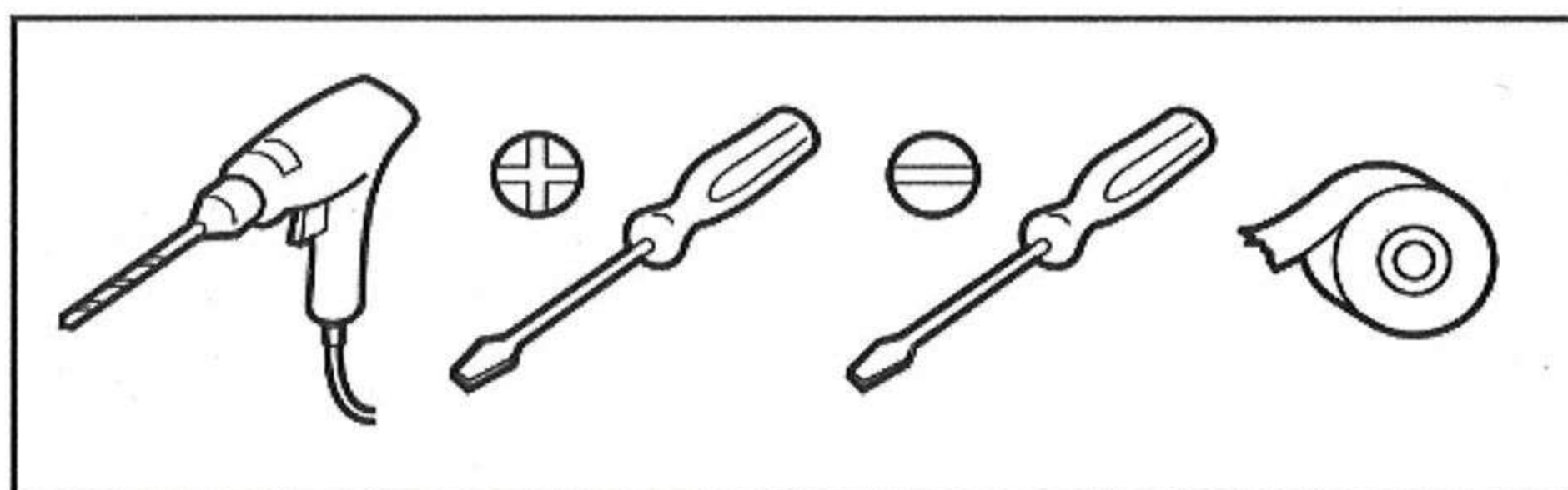
Do not wire this floodlight into the lighting circuit - use a switched fused spur
Before installation and servicing, disconnect the electrical supply at the mains.
Carefully observe all instructions or warnings that are labelled on, or supplied with, your product.
This product is suitable for outdoor use. If in any doubt, consult a qualified electrician.

General Information

Do not mount ceiling/wall fittings onto damp surfaces such as newly painted or plastered areas as this may cause discolouration of the finish.

Tools which may be required:

- Drill
- Cross Head Screwdriver
- Small Electrical Slotted Screwdriver
- Insulation Tape



Fixing instructions

Do not wire this floodlight into the lighting circuit - use a switched fused spur.

This fitting must be earthed. contact a qualified electrician to install a suitable earth facility.

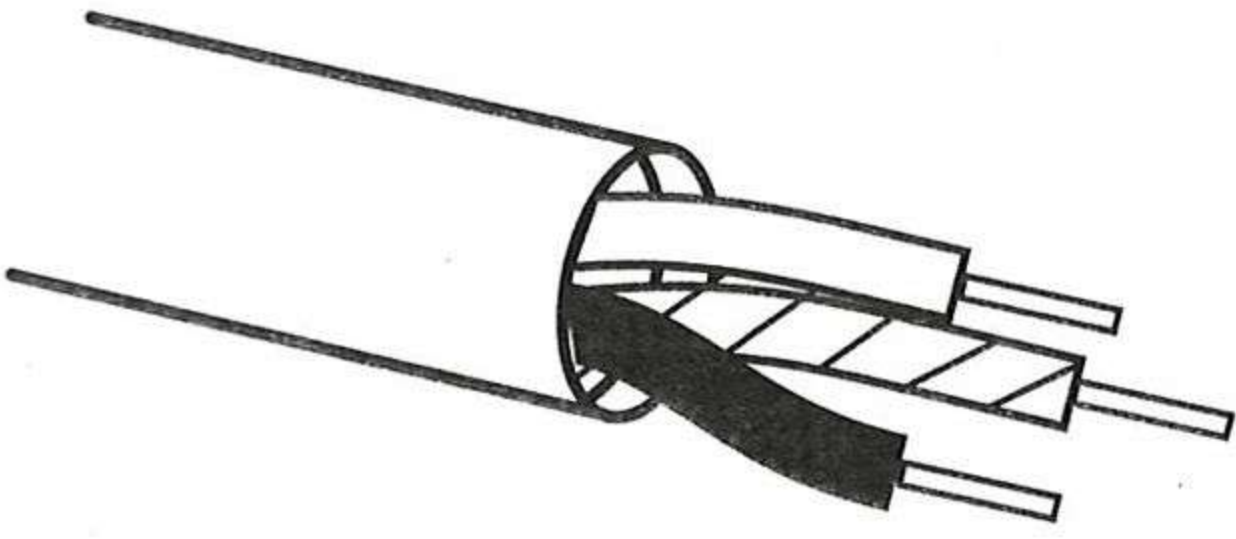
Ensure the electricity is turned off at the mains before installing or maintaining any electrical fitting.

Please note: For new installations, check for any electrical cables or pipe work (gas/water) in the vicinity of the intended mounting point for this product, before proceeding with the installation.

Installation:

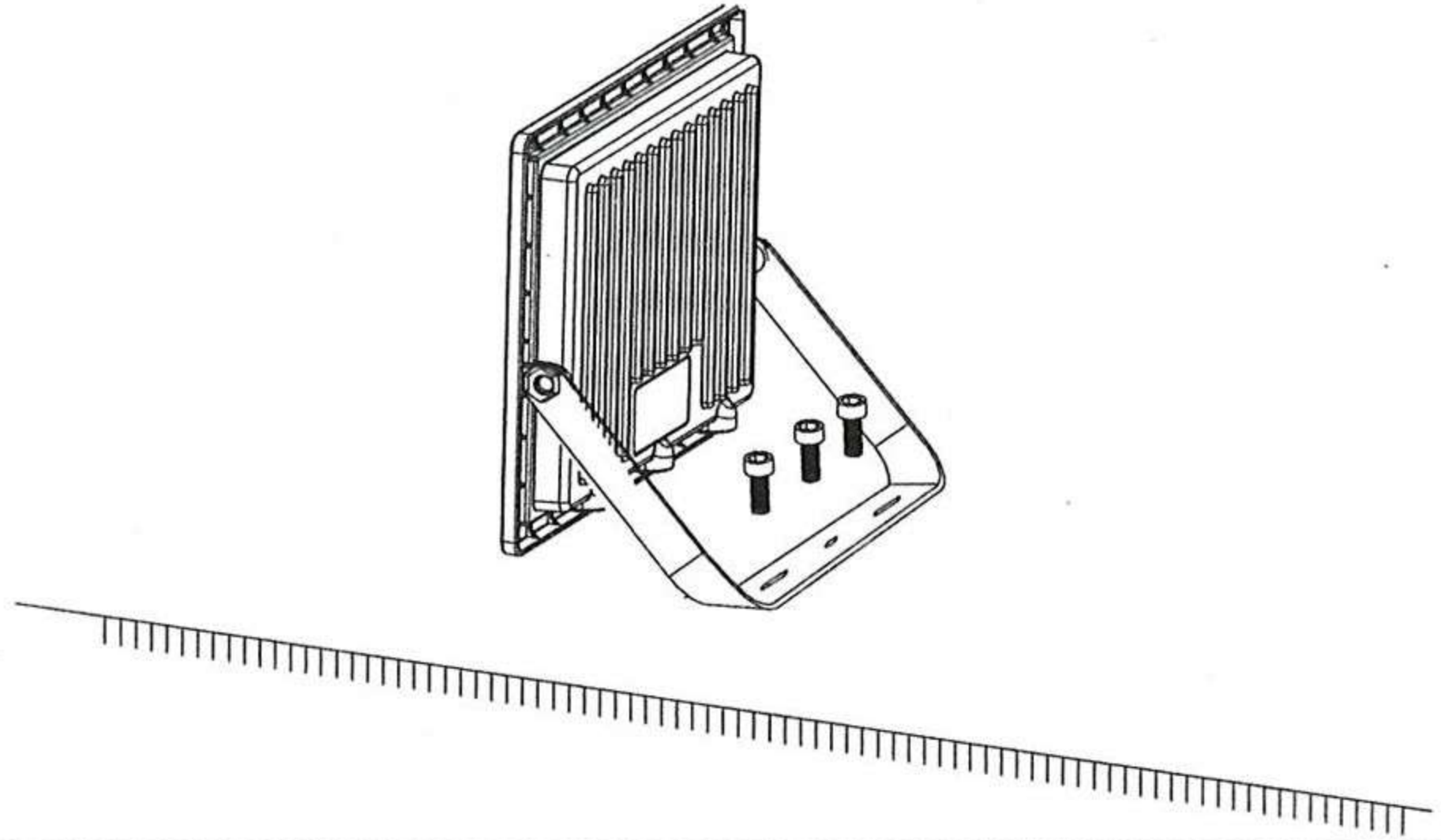
Note: before installation.

Only use a **round cable supplied** to connect this fitting. (6mm Diameter minimum.)

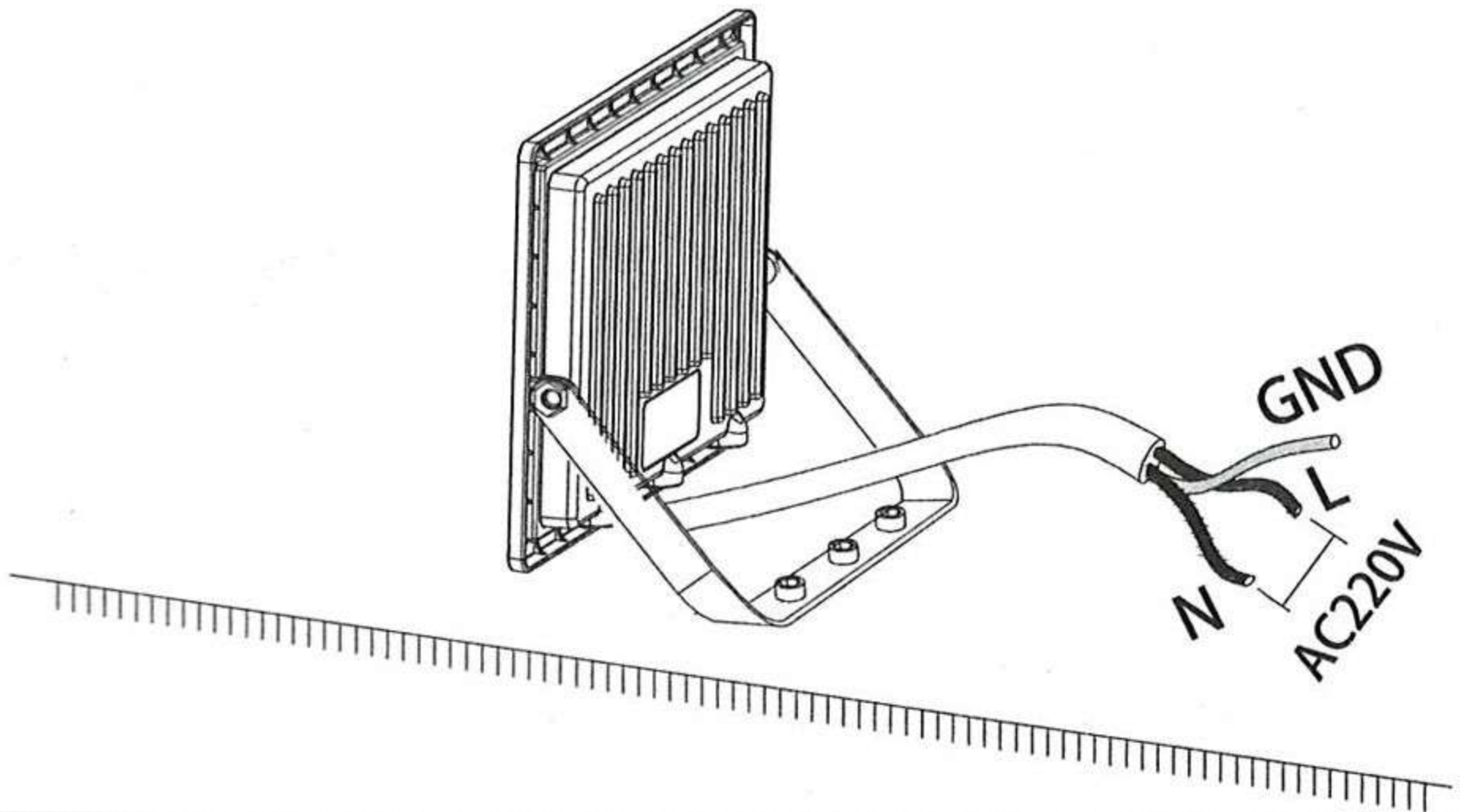


This is required in order to create a good water seal when connected to the fitting.

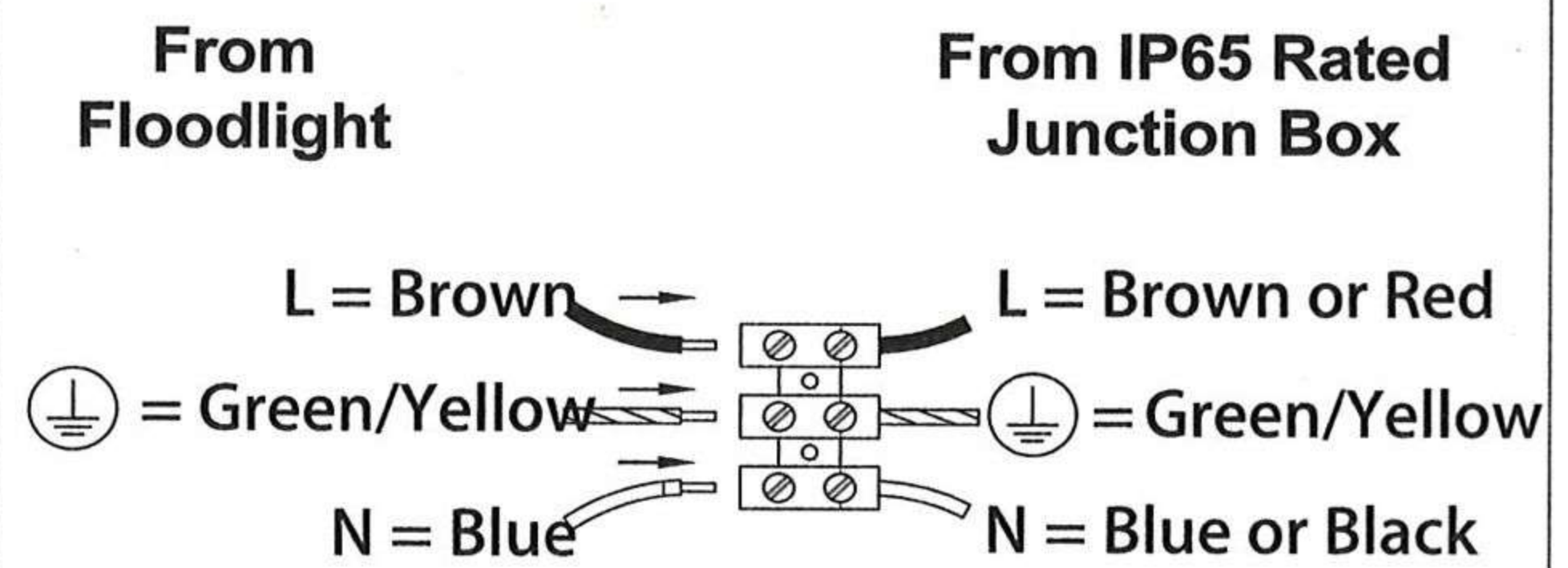
1-Fasten the adjustable bracket with stainless steel screws



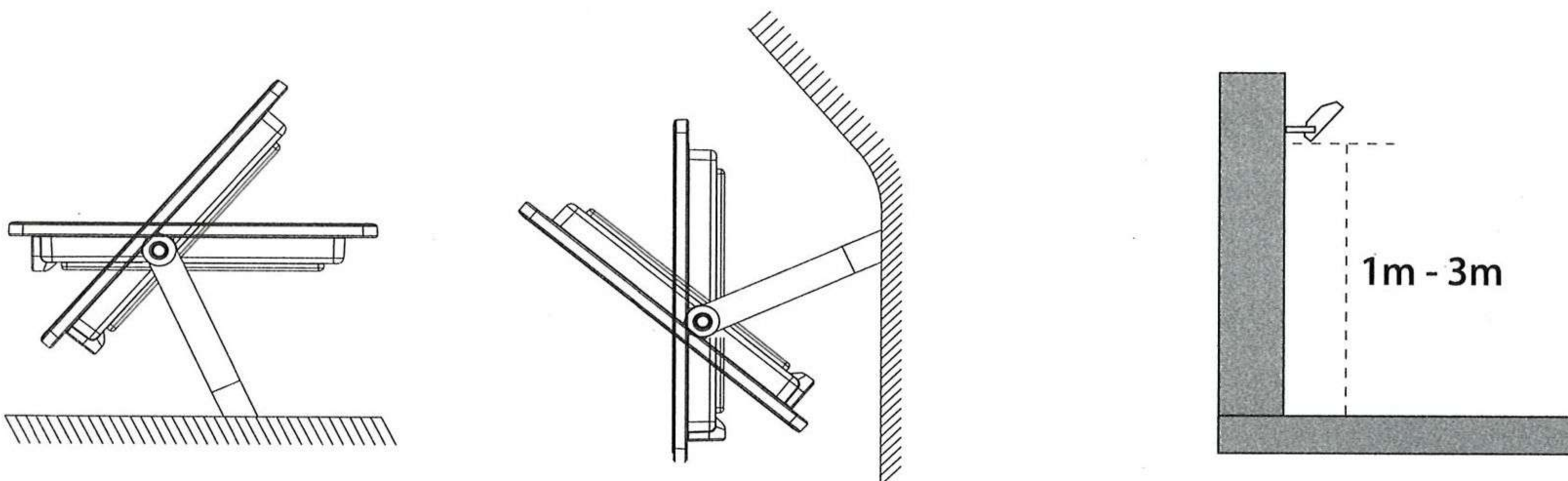
2-Connect the Main Line to the power wire of the lamp.



3-Ensure the terminal connection is made inside a suitable IP65 rated junction box.(not included)



4-Install the LED flood lights in the ground, wall, and ceiling.



This product should be disposed of responsibly at the end of its life. Please recycle where facilities exist. Check with your Local Authority or retailer for recycling advice (Waste Electrical and Electronic Equipment Directive)