

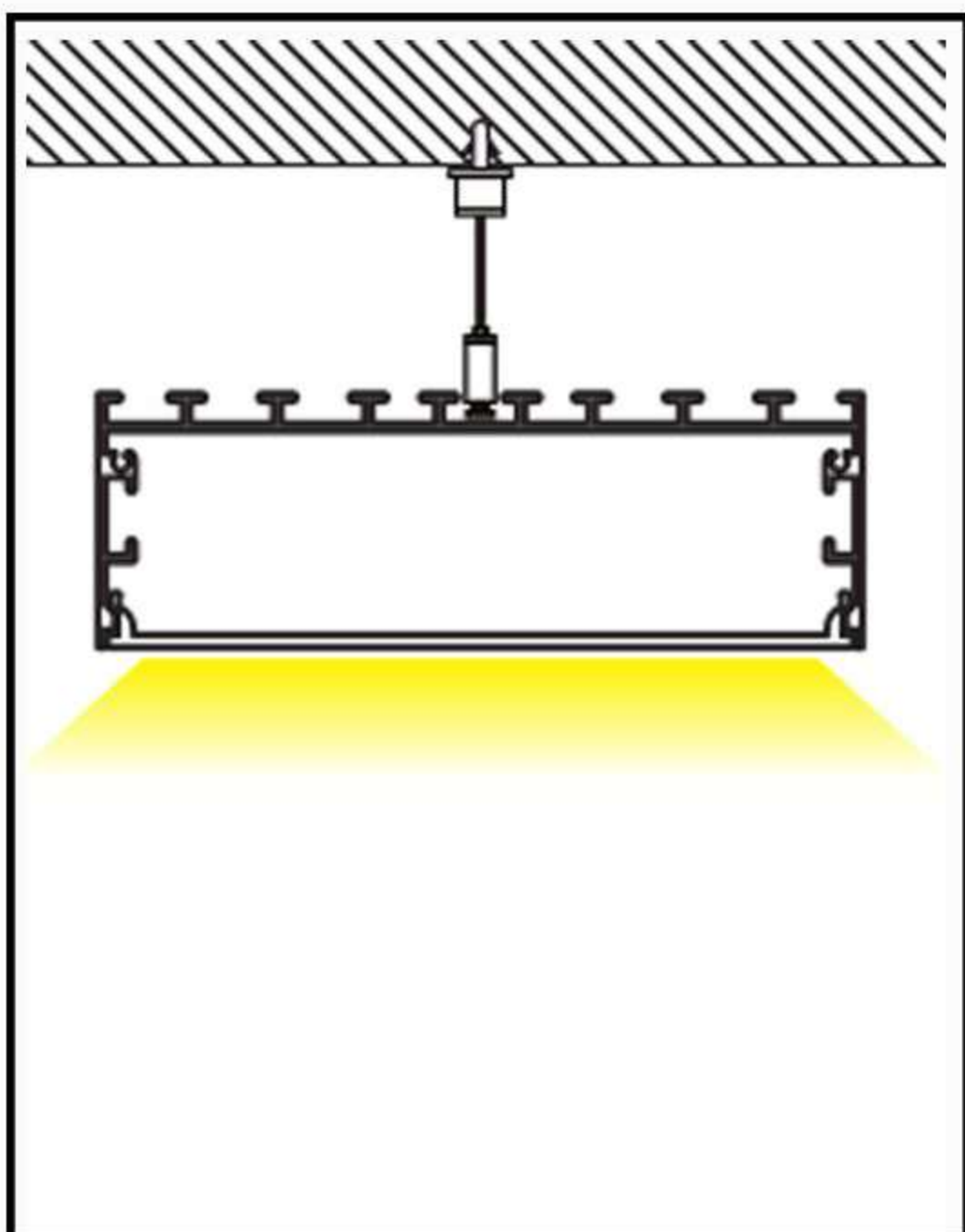
ALUMINUM PROFILE

NX-10035 SL

specification

PRODUCT NAME :	Aluminum Profile - Surface Mounted
MODEL NUMBER :	NX-10035 SL
INSTALLATION :	Surface
MATERIAL :	Aluminum - 6063T5
SIZE :	W: 30.3mm, H: 09.8mm, L: 3000mm
SURFACE :	SILVER
PC COVER :	Avaiable with opal diffuser
Apply :	LED Strip and PCB 80mm
WARRANTY :	5years

Hanging Installation



Ceiling Mount

