

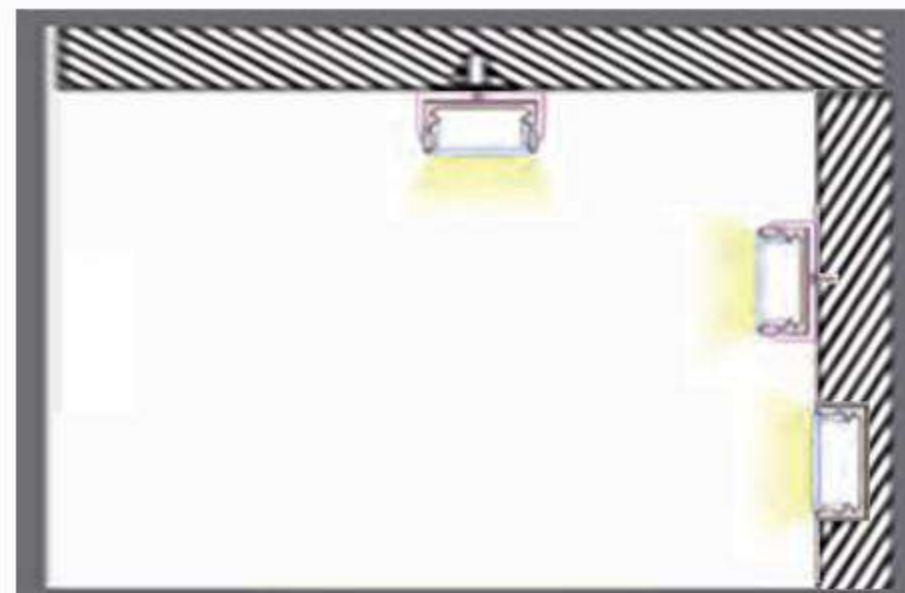
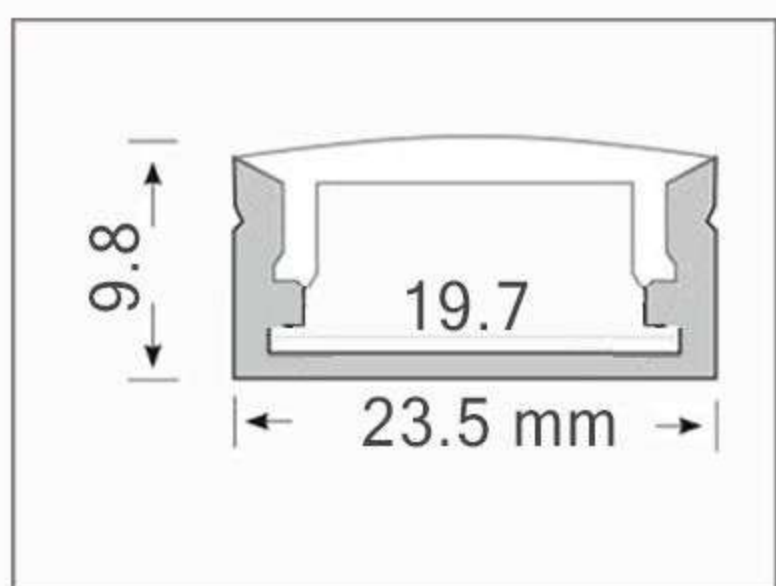
ALUMINUM PROFILE

NX-2410 SL

specification

PRODUCT NAME :	Aluminum Profile - Surface
MODEL NUMBER :	NX-2410 SL
INSTALLATION :	SURFACE
MATERIAL :	Aluminum - 6063T5
SIZE :	W: 23.5mm, H: 09.8mm, L: 3000mm
SURFACE :	SILVER
PC COVER :	Avaiable with opal diffuser
Apply :	LED Strip and PCB 18mm
WARRANTY :	5years

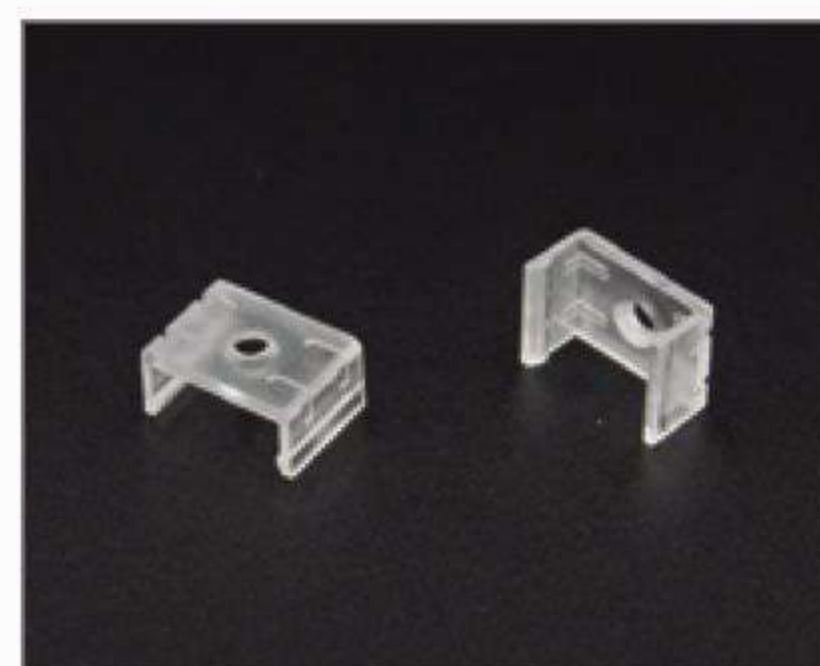
Installation



Aluminum Profile



Mointing Clip (Metal)



Mointing Clip (PC)



End Cap



Cover